



Cable Supports

Kablo Yolları

www.idectr.com



IDEC reserves the right to make changes and additions without giving prior notice.

IDEC accepts no liability for printing errors.

*İDEC, her türlü deęişiklik ve ekleme yapma hakkına sahiptir.
İDEC, baskı hatalarına karşı hiçbir sorumluluk kabul etmez.*

About us ...

IDEC is established in June 2012 to become one of the World's leading manufacturers of Industrial Support Systems. IDEC is centrally located in Istanbul, TURKEY that has the advantage to distribute products to the European and Middle Eastern market with short delivery times.

IDEC manufactures products to the highest quality using the finest materials and machinery with the lowest prices and just in time delivery.

IDEC is organized by means of Enterprise Resource Planning - ERP system which integrates design, planning, production, procurement, warehousing, commercial, and financial information.

IDEC maintains its quality with Lloyd's Register Quality Assurance certification of ISO 9001:2008.

IDEC is continuing production with fast and ensure steps at its new facility in order to reach own foundation goal.

Hakkımızda ...

İDEÇ, endüstriyel bağlantı malzemeleri üretimi konusunda dünyanın önde gelen firmaları arasında yerini almak amacıyla 2012 yılı Haziran ayında kurulmuştur.

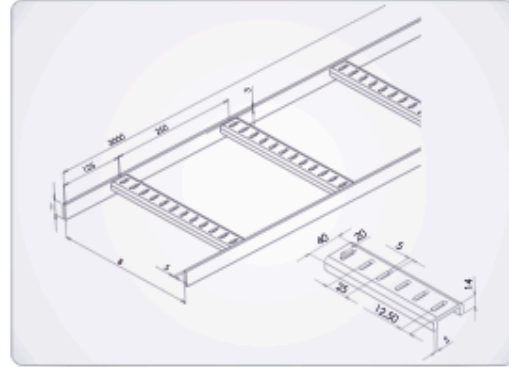
İDEÇ, hammaddelerini son teknoloji makinalarda işleyerek; kaliteli malzemeyi ucuza ve zamanında teslim eder.

İDEÇ; dizayn, planlama, üretim, satın alma, depolama, ticari ve finansal tüm organizasyonlarını ERP program desteği ile gerçekleştirmektedir.

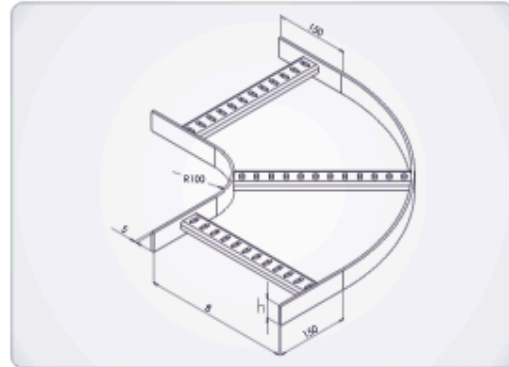
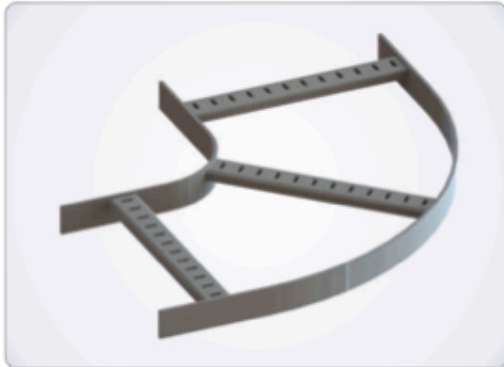
İDEÇ, kalitesini LRQA ISO 9001:2008 sertifikasıyla belgelendirmiştir.

İDEÇ, kuruluş amacına hızlı ve emin adımlarla ulaşmak için yeni tesislerinde üretime devam etmektedir.

STANDARD CABLE LADDERS / STANDART KABLO MERDİVENLERİ



Art.No.	h (mm)	B (mm)	s (mm)	kg/m
CS1001.100	30	100	3	2,85
CS1001.150	30	150	3	3,10
CS1001.200	30	200	3	3,60
CS1001.300	30	300	4	4,40
CS1001.400	30	400	4	5,10
CS1001.500	30	500	4	5,75
CS1001.600	30	600	4	6,40

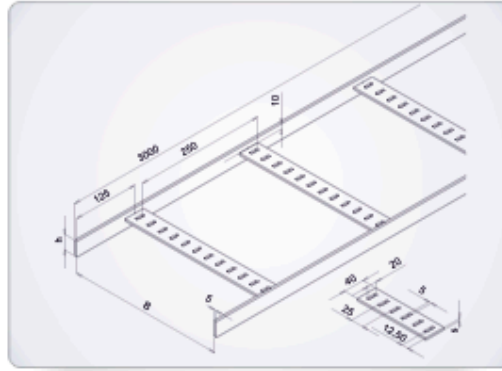


Art.No.	B (mm)	kg
CS1101.100	100	1,65
CS1101.150	150	1,95
CS1101.200	200	2,25
CS1101.300	300	3,15
CS1101.400	400	3,85
CS1101.500	500	4,50
CS1101.600	600	5,25

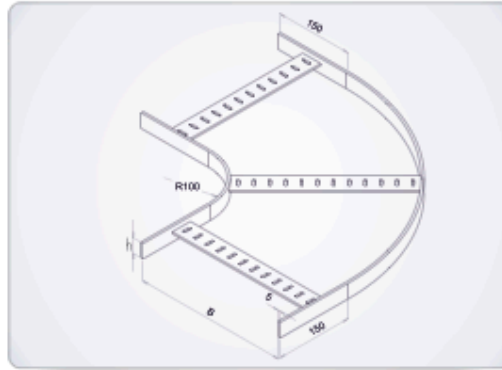
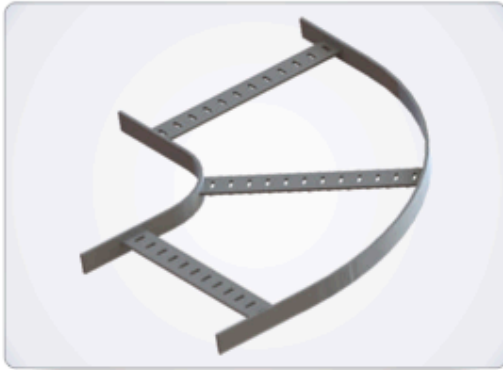
ART.NO. MATERIAL/SURFACE - MALZEME/YÜZEY

ST	STEEL S235JR NO COATING ÇELİK S235JR SİYAH	SS304	STAINLESS STEEL 304 PASLANMAZ ÇELİK 304
STP	STEEL S235JR PRIMER COATED ÇELİK S235JR ASTAR BOYALI	SS316	STAINLESS STEEL 316 PASLANMAZ ÇELİK 316
STHG	STEEL S235JR HOT DIP GALVANISED ÇELİK S235JR SICAK DALDIRMA GALVANİZ	AL5083	ALUMINUM 5083 ALÜMİNYUM 5083
STEG	STEEL S235JR ELECTRO GALVANISED ÇELİK S235JR ELEKTRO GALVANİZ	AL6082	ALUMINUM 6082 ALÜMİNYUM 6082

STANDARD CABLE LADDERS / STANDART KABLO MERDİVENLERİ



Art.No.	h (mm)	B (mm)	s (mm)	kg/m
CS1003.100	30	100	3	2,70
CS1003.150	30	150	3	2,90
CS1003.200	30	200	3	3,00
CS1003.300	30	300	4	3,85
CS1003.400	30	400	4	4,35
CS1003.500	30	500	4	4,85
CS1003.600	30	600	4	5,35

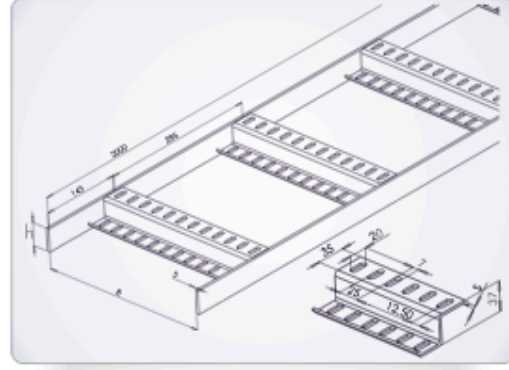
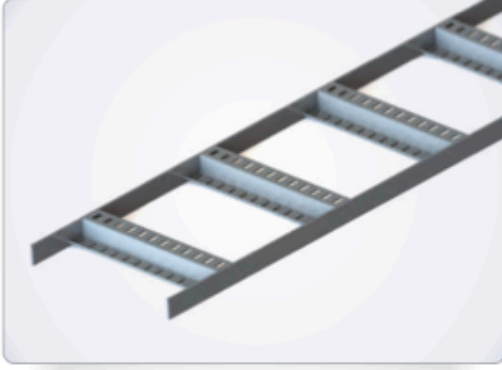


Art.No.	B (mm)	kg
CS1103.100	100	1,55
CS1103.150	150	1,80
CS1103.200	200	2,00
CS1103.300	300	2,75
CS1103.400	400	3,35
CS1103.500	500	3,90
CS1103.600	600	4,45

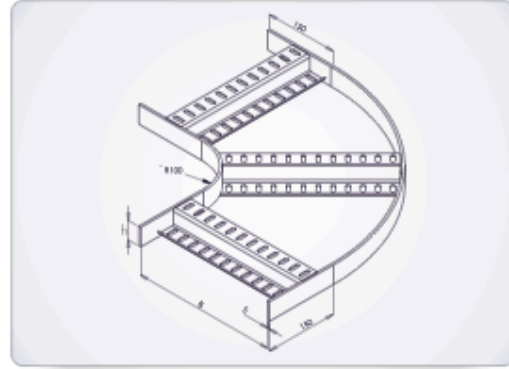
ART.NO. MATERIAL/SURFACE - MALZEME/YÜZEY

ST	STEEL S235JR NO COATING ÇELİK S235JR SİYAH	SS304	STAINLESS STEEL 304 PASLANMAZ ÇELİK 304
STP	STEEL S235JR PRIMER COATED ÇELİK S235JR ASTAR BOYALI	SS316	STAINLESS STEEL 316 PASLANMAZ ÇELİK 316
STHG	STEEL S235JR HOT DIP GALVANISED ÇELİK S235JR SICAK DALDIRMA GALVANİZ	AL5083	ALUMINUM 5083 ALÜMİNYUM 5083
STEG	STEEL S235JR ELECTRO GALVANISED ÇELİK S235JR ELEKTRO GALVANİZ	AL6082	ALUMINUM 6082 ALÜMİNYUM 6082

SYMMETRICAL CABLE LADDERS / SİMETRİK KABLO MERDİVENLERİ



Art.No.	h (mm)	B (mm)	s (mm)	kg/m
CS1009.100	40	100	1,5	3,61
CS1009.200	40	200	1,5	4,08
CS1009.300	40	300	1,5	4,56
CS1009.400	40	400	2	5,66
CS1009.500	40	500	2	6,29
CS1009.600	40	600	2	6,92



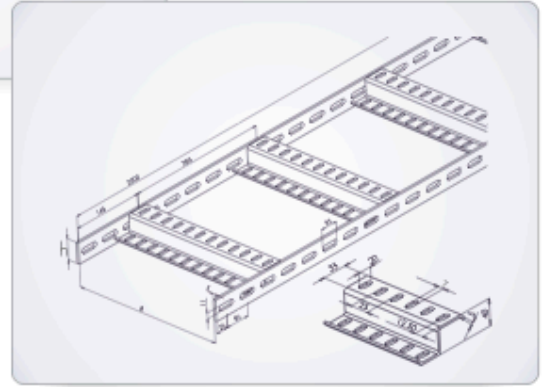
Art.No.	B (mm)	kg
CS1109.100	100	2,11
CS1109.200	200	2,77
CS1109.300	300	3,41
CS1109.400	400	4,61
CS1109.500	500	5,39
CS1109.600	600	6,19

ART.NO. MATERIAL/SURFACE - MALZEME/YÜZEY

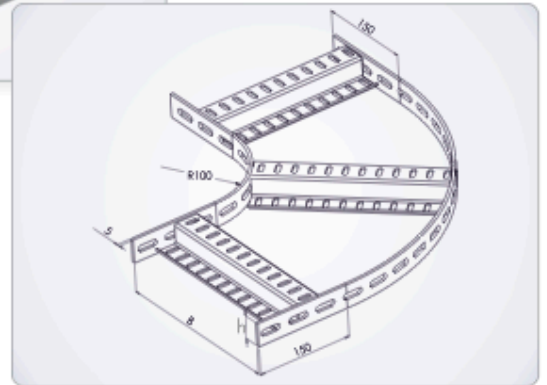
ST	STEEL S235JR NO COATING ÇELİK S235JR SİYAH	SS304	STAINLESS STEEL 304 PASLANMAZ ÇELİK 304
STP	STEEL S235JR PRIMER COATED ÇELİK S235JR ASTAR BOYALI	SS316	STAINLESS STEEL 316 PASLANMAZ ÇELİK 316
STHG	STEEL S235JR HOT DIP GALVANISED ÇELİK S235JR SICAK DALDIRMA GALVANİZ	AL5083	ALUMINUM 5083 ALÜMİNYUM 5083
STEG	STEEL S235JR ELECTRO GALVANISED ÇELİK S235JR ELEKTRO GALVANİZ	AL6082	ALUMINUM 6082 ALÜMİNYUM 6082

SLOTTED SIDE SYMMETRICAL CABLE LADDERS KENAR DELİKLİ SİMETRİK KABLO MERDİVENLERİ

Art.No.	h (mm)	B (mm)	s (mm)	kg/m
CS1010.100	40	100	1,5	3,01
CS1010.200	40	200	1,5	3,48
CS1010.300	40	300	1,5	3,96
CS1010.400	40	400	2	5,06
CS1010.500	40	500	2	5,69
CS1010.600	40	600	2	6,32



Art.No.	B (mm)	kg
CS1110.100	100	1,78
CS1110.200	200	2,39
CS1110.300	300	2,99
CS1110.400	400	4,14
CS1110.500	500	4,88
CS1110.600	600	5,62

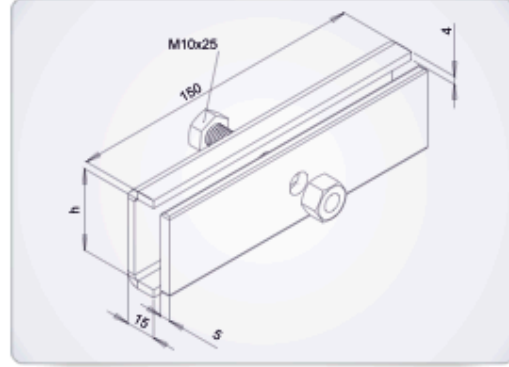


ART.NO. MATERIAL/SURFACE - MALZEME/YÜZEY

ST	STEEL S235JR NO COATING ÇELİK S235JR SİYAH	SS304	STAINLESS STEEL 304 PASLANMAZ ÇELİK 304
STP	STEEL S235JR PRIMER COATED ÇELİK S235JR ASTAR BOYALI	SS316	STAINLESS STEEL 316 PASLANMAZ ÇELİK 316
STHG	STEEL S235JR HOT DIP GALVANISED ÇELİK S235JR SICAK DALDIRMA GALVANİZ	AL5083	ALUMINUM 5083 ALÜMİNYUM 5083
STEG	STEEL S235JR ELECTRO GALVANISED ÇELİK S235JR ELEKTRO GALVANİZ	AL6082	ALUMINUM 6082 ALÜMİNYUM 6082

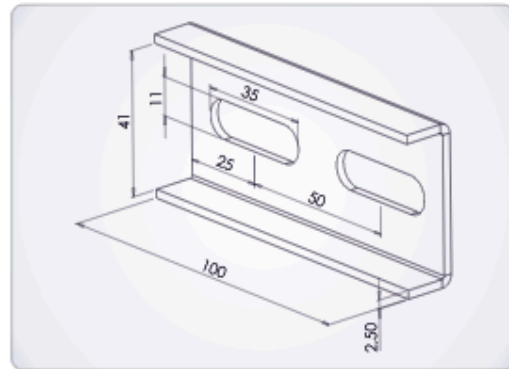
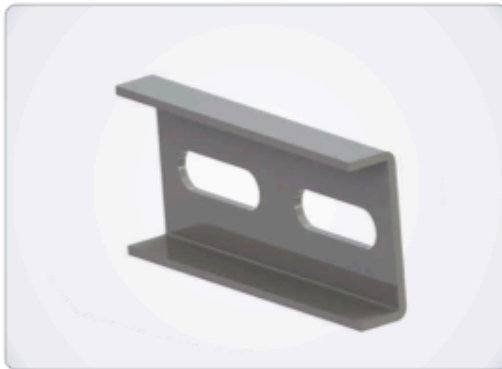
CABLE LADDER CONNECTORS / KABLO MERDİVENİ EK PARÇALARI

CABLE LADDER CONNECTOR / KABLO MERDİVENİ EK PARÇASI



Art.No.	h (mm)	kg
CS1201.40	40	0,60
CS1201.50	50	0,70

SLOTTED SIDE CABLE LADDER CONNECTOR / KENAR DELİKLİ KABLO MERDİVENİ EK PARÇASI



Art.No.	kg
CS1202	0,10

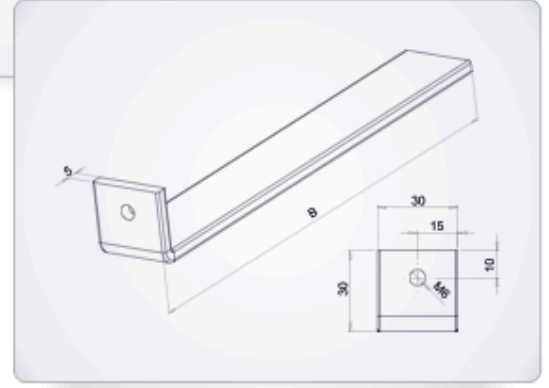
ART.NO. MATERIAL/SURFACE - MALZEME/YÜZEY

ST	STEEL S235JR NO COATING ÇELİK S235JR SİYAH	SS304	STAINLESS STEEL 304 PASLANMAZ ÇELİK 304
STP	STEEL S235JR PRIMER COATED ÇELİK S235JR ASTAR BOYALI	SS316	STAINLESS STEEL 316 PASLANMAZ ÇELİK 316
STHG	STEEL S235JR HOT DIP GALVANISED ÇELİK S235JR SICAK DALDIRMA GALVANİZ	AL5083	ALUMINUM 5083 ALÜMİNYUM 5083
STEG	STEEL S235JR ELECTRO GALVANISED ÇELİK S235JR ELEKTRO GALVANİZ	AL6082	ALUMINUM 6082 ALÜMİNYUM 6082

"L" TYPE HANGING SUPPORTS / "L" TİPİ ASKI AYAKLARI

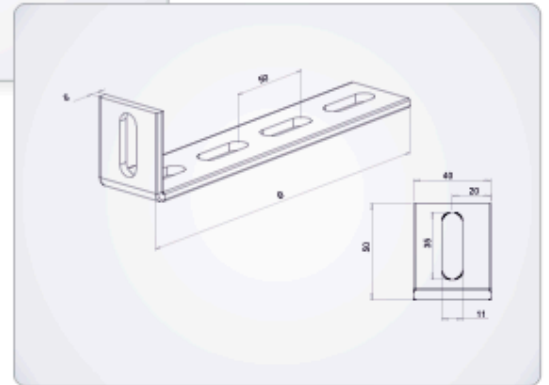
"L" TYPE HANGING SUPPORT / "L" TİPİ ASKI AYAĞI

Art.No.	B (mm)	kg
CS1401.100	100	0,15
CS1401.200	200	0,27
CS1401.300	300	0,39
CS1401.400	400	0,51
CS1401.500	500	0,63
CS1401.600	600	0,75



PERFORATED "L" TYPE HANGING SUPPORT DELİKLİ "L" TİPİ ASKI AYAĞI

Art.No.	B (mm)	kg
CS1402.100	100	0,16
CS1402.200	200	0,32
CS1402.300	300	0,47
CS1402.400	400	0,63
CS1402.500	500	0,79
CS1402.600	600	0,95

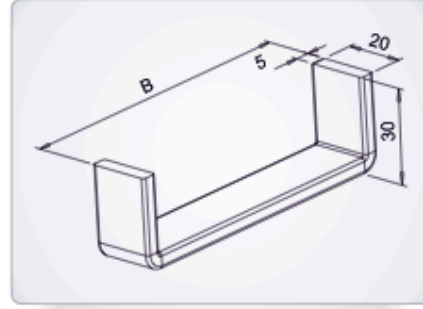
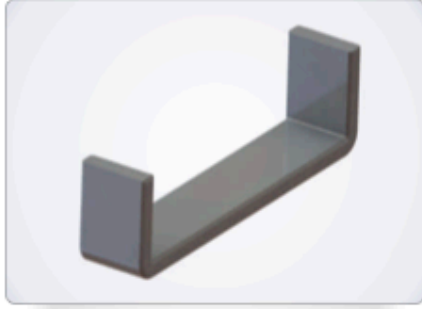


ART.NO. MATERIAL/SURFACE - MALZEME/YÜZEY

ST	STEEL S235JR NO COATING ÇELİK S235JR SİYAH	SS304	STAINLESS STEEL 304 PASLANMAZ ÇELİK 304
STP	STEEL S235JR PRIMER COATED ÇELİK S235JR ASTAR BOYALI	SS316	STAINLESS STEEL 316 PASLANMAZ ÇELİK 316
STHG	STEEL S235JR HOT DIP GALVANISED ÇELİK S235JR SICAK DALDIRMA GALVANİZ	AL5083	ALUMINUM 5083 ALÜMİNYUM 5083
STEG	STEEL S235JR ELECTRO GALVANISED ÇELİK S235JR ELEKTRO GALVANİZ	AL6082	ALUMINUM 6082 ALÜMİNYUM 6082

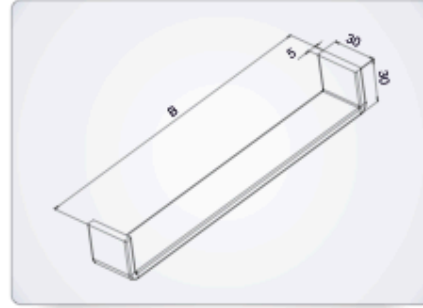
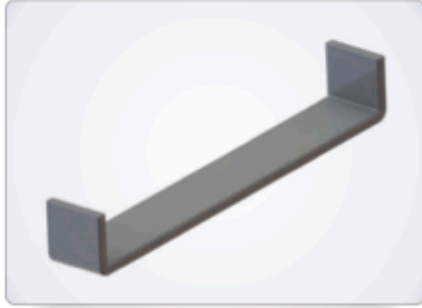
“U” TYPE BRACKETS / “U” TİPİ KONSOLLAR

NARROW “U” TYPE BRACKET / DAR “U” TİPİ KONSOL



Art.No.	B (mm)	kg
CS1403.100	100	0,12
CS1403.200	200	0,20
CS1403.300	300	0,28
CS1403.400	400	0,36
CS1403.500	500	0,44
CS1403.600	600	0,52

“U” TYPE BRACKET / “U” TİPİ KONSOL



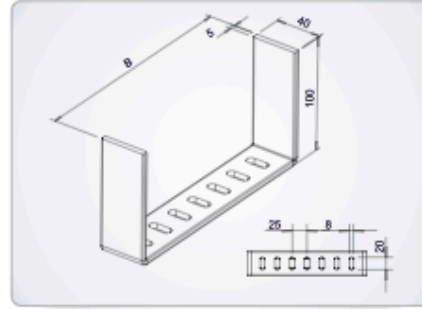
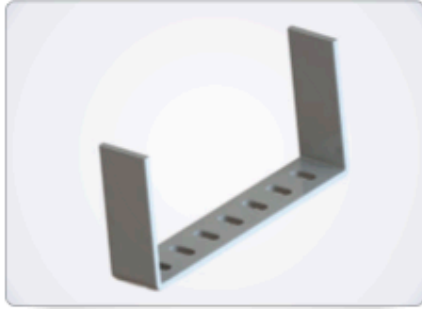
Art.No.	B (mm)	kg
CS1404.100	100	0,17
CS1404.200	200	0,29
CS1404.300	300	0,41
CS1404.400	400	0,53
CS1404.500	500	0,65
CS1404.600	600	0,77

ART.NO. MATERIAL/SURFACE - MALZEME/YÜZEY

ST	STEEL S235JR NO COATING ÇELİK S235JR SİYAH	SS304	STAINLESS STEEL 304 PASLANMAZ ÇELİK 304
STP	STEEL S235JR PRIMER COATED ÇELİK S235JR ASTAR BOYALI	SS316	STAINLESS STEEL 316 PASLANMAZ ÇELİK 316
STHG	STEEL S235JR HOT DIP GALVANISED ÇELİK S235JR SICAK DALDIRMA GALVANİZ	AL5083	ALUMINUM 5083 ALÜMİNYUM 5083
STEG	STEEL S235JR ELECTRO GALVANISED ÇELİK S235JR ELEKTRO GALVANİZ	AL6082	ALUMINUM 6082 ALÜMİNYUM 6082

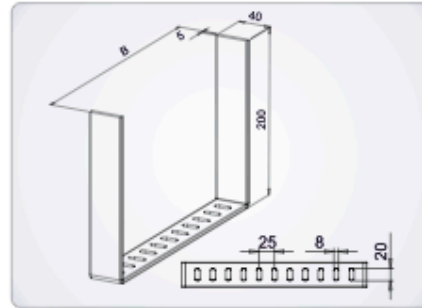
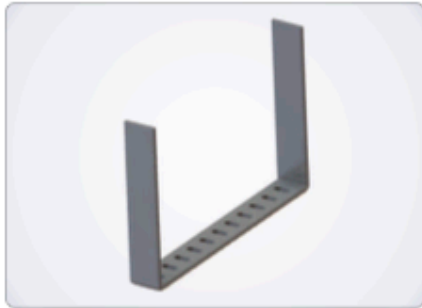
“U” TYPE BRACKETS / “U” TİPİ KONSOLLAR

PERFORATED “U” TYPE BRACKET / DELİKLİ “U” TİPİ KONSOL



Art.No.	B (mm)	kg
CS1405.100	100	0,45
CS1405.200	200	0,60
CS1405.300	300	0,75
CS1405.400	400	0,90
CS1405.500	500	1,05
CS1405.600	600	1,20

PERFORATED LONG “U” TYPE BRACKET / DELİKLİ UZUN “U” TİPİ KONSOL



Art.No.	B (mm)	kg
CS1406.100	100	0,80
CS1406.200	200	0,95
CS1406.300	300	1,10
CS1406.400	400	1,25
CS1406.500	500	1,40
CS1406.600	600	1,55

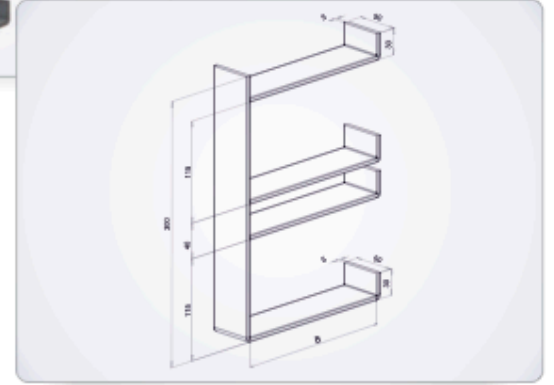
ART.NO. MATERIAL/SURFACE - MALZEME/YÜZEY

ST	STEEL S235JR NO COATING ÇELİK S235JR SİYAH	SS304	STAINLESS STEEL 304 PASLANMAZ ÇELİK 304
STP	STEEL S235JR PRIMER COATED ÇELİK S235JR ASTAR BOYALI	SS316	STAINLESS STEEL 316 PASLANMAZ ÇELİK 316
STHG	STEEL S235JR HOT DIP GALVANISED ÇELİK S235JR SICAK DALDIRMA GALVANİZ	AL5083	ALUMINUM 5083 ALÜMİNYUM 5083
STEG	STEEL S235JR ELECTRO GALVANISED ÇELİK S235JR ELEKTRO GALVANİZ	AL6082	ALUMINUM 6082 ALÜMİNYUM 6082

"E" TYPE BRACKETS / "E" TİPİ KONSOLLAR

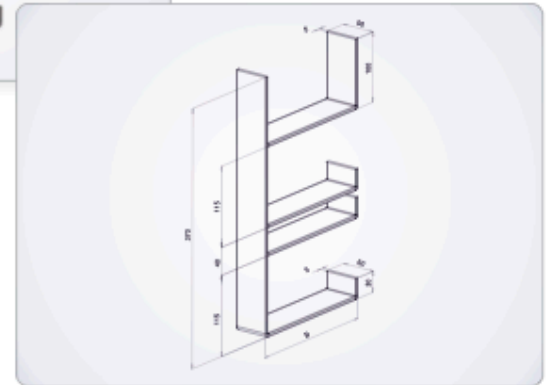
"E" TYPE BRACKET / "E" TİPİ KONSOL

Art.No.	B (mm)	kg
CS1407.100	100	1,75
CS1407.200	200	2,35
CS1407.300	300	2,95
CS1407.400	400	3,55
CS1407.500	500	4,15
CS1407.600	600	4,75



LONG "E" TYPE BRACKET / UZUN "E" TİPİ KONSOL

Art.No.	B (mm)	kg
CS1408.100	100	2,00
CS1408.200	200	2,60
CS1408.300	300	3,20
CS1408.400	400	3,80
CS1408.500	500	4,40
CS1408.600	600	5,00

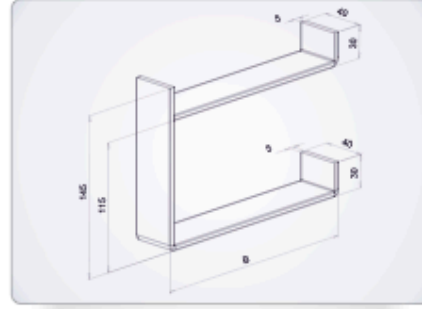


ART.NO. MATERIAL/SURFACE - MALZEME/YÜZEY

ST	STEEL S235JR NO COATING ÇELİK S235JR SİYAH	SS304	STAINLESS STEEL 304 PASLANMAZ ÇELİK 304
STP	STEEL S235JR PRIMER COATED ÇELİK S235JR ASTAR BOYALI	SS316	STAINLESS STEEL 316 PASLANMAZ ÇELİK 316
STHG	STEEL S235JR HOT DIP GALVANISED ÇELİK S235JR SICAK DALDIRMA GALVANİZ	AL5083	ALUMINUM 5083 ALÜMİNYUM 5083
STEG	STEEL S235JR ELECTRO GALVANISED ÇELİK S235JR ELEKTRO GALVANİZ	AL6082	ALUMINUM 6082 ALÜMİNYUM 6082

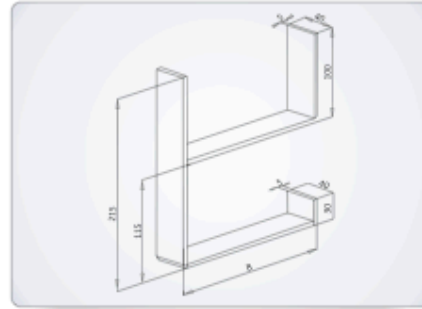
"F" TYPE BRACKETS / "F" TİPİ KONSOLLAR

"F" TYPE BRACKET / "F" TİPİ KONSOL



Art.No.	B (mm)	kg
CS1409.100	100	0,60
CS1409.200	200	0,90
CS1409.300	300	1,25
CS1409.400	400	1,55
CS1409.500	500	1,90
CS1409.600	600	2,20

LONG "F" TYPE BRACKET / UZUN "F" TİPİ KONSOL



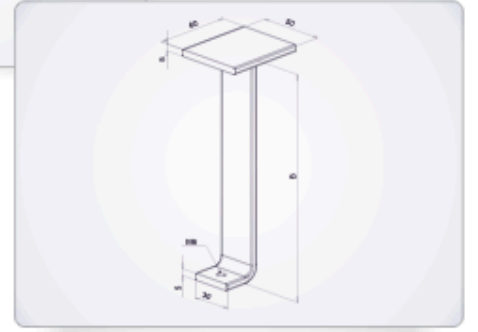
Art.No.	B (mm)	kg
CS1410.100	100	0,80
CS1410.200	200	1,15
CS1410.300	300	1,45
CS1410.400	400	1,80
CS1410.500	500	2,10
CS1410.600	600	2,40

ART.NO. MATERIAL/SURFACE - MALZEME/YÜZEY

ST	STEEL S235JR NO COATING ÇELİK S235JR SİYAH	SS304	STAINLESS STEEL 304 PASLANMAZ ÇELİK 304
STP	STEEL S235JR PRIMER COATED ÇELİK S235JR ASTAR BOYALI	SS316	STAINLESS STEEL 316 PASLANMAZ ÇELİK 316
STHG	STEEL S235JR HOT DIP GALVANISED ÇELİK S235JR SICAK DALDIRMA GALVANİZ	AL5083	ALUMINUM 5083 ALÜMİNYUM 5083
STEG	STEEL S235JR ELECTRO GALVANISED ÇELİK S235JR ELEKTRO GALVANİZ	AL6082	ALUMINUM 6082 ALÜMİNYUM 6082

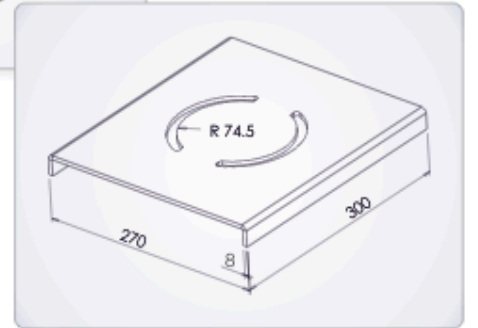
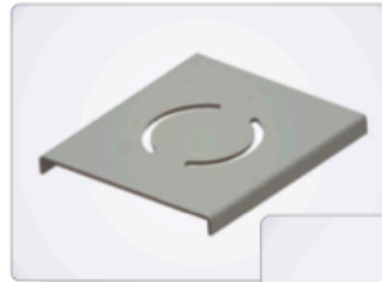
HANGING SUPPORT WITH HEAD PLATE / ŞAPKALI ASKI AYIĞI

Art.No.	B (mm)	kg
CS1412.100	100	0,27
CS1412.200	200	0,39
CS1412.300	300	0,51
CS1412.400	400	0,63
CS1412.500	500	0,75
CS1412.600	600	0,87



REFLECTOR SUPPORT / REFLEKTÖR AYIĞI

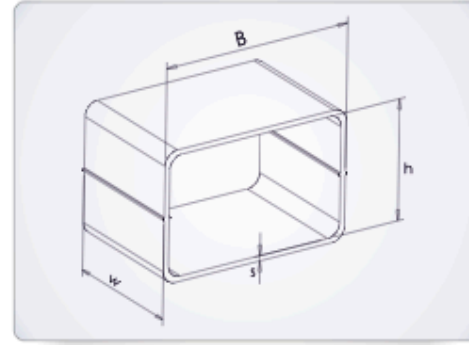
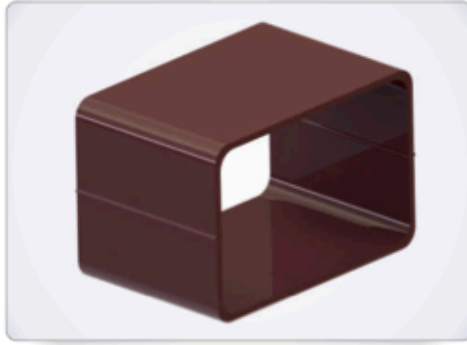
Art.No.	kg
CS1418	5,50



ART.NO. MATERIAL/SURFACE - MALZEME/YÜZEY

ST	STEEL S235JR NO COATING ÇELİK S235JR SİYAH	SS304	STAINLESS STEEL 304 PASLANMAZ ÇELİK 304
STP	STEEL S235JR PRIMER COATED ÇELİK S235JR ASTAR BOYALI	SS316	STAINLESS STEEL 316 PASLANMAZ ÇELİK 316
STHG	STEEL S235JR HOT DIP GALVANISED ÇELİK S235JR SICAK DALDIRMA GALVANİZ	AL5083	ALUMINUM 5083 ALÜMİNYUM 5083
STEG	STEEL S235JR ELECTRO GALVANISED ÇELİK S235JR ELEKTRO GALVANİZ	AL6082	ALUMINUM 6082 ALÜMİNYUM 6082

CABLE HOLES / KABLO ZIVANALARI



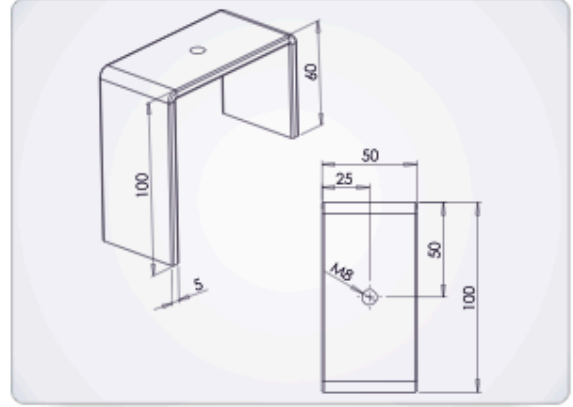
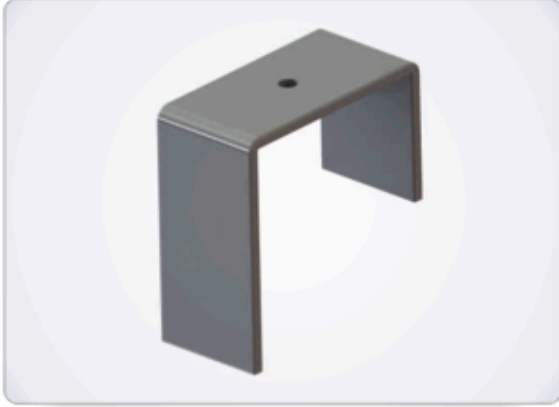
Art.No.	s (mm)	h (mm)	w (mm)	B (mm)	kg
CS1424.101010	10	100	100	100	3,52
CS1424.101015	10	100	100	150	4,32
CS1424.101020	10	100	100	200	5,12
CS1424.101025	10	100	100	250	5,92
CS1424.101030	10	100	100	300	6,72
CS1424.101040	10	100	100	400	8,32
CS1424.101050	10	100	100	500	9,92
CS1424.101060	10	100	100	600	11,52
CS1424.102510	10	100	250	100	3,84
CS1424.102515	10	100	250	150	4,64
CS1424.102520	10	100	250	200	5,44
CS1424.102525	10	100	250	250	6,24
CS1424.102530	10	100	250	300	7,04
CS1424.102540	10	100	250	400	8,64
CS1424.102550	10	100	250	500	10,24
CS1424.102560	10	100	250	600	11,84
CS1424.121010	10	120	100	100	8,80
CS1424.121015	10	120	100	150	10,80
CS1424.121020	10	120	100	200	12,80
CS1424.121025	10	120	100	250	14,80
CS1424.121030	10	120	100	300	16,80
CS1424.121040	10	120	100	400	20,80
CS1424.121050	10	120	100	500	24,80
CS1424.121060	10	120	100	600	28,80
CS1424.122510	10	120	250	100	9,60
CS1424.122515	10	120	250	150	11,60
CS1424.122520	10	120	250	200	13,60
CS1424.122525	10	120	250	250	15,60
CS1424.122530	10	120	250	300	17,60
CS1424.122540	10	120	250	400	21,60
CS1424.122550	10	120	250	500	25,60
CS1424.122560	10	120	250	600	29,60

ART.NO. MATERIAL/SURFACE - MALZEME/YÜZEY

ST	STEEL S235JR NO COATING ÇELİK S235JR SİYAH	SS304	STAINLESS STEEL 304 PASLANMAZ ÇELİK 304
STP	STEEL S235JR PRIMER COATED ÇELİK S235JR ASTAR BOYALI	SS316	STAINLESS STEEL 316 PASLANMAZ ÇELİK 316
STHG	STEEL S235JR HOT DIP GALVANISED ÇELİK S235JR SICAK DALDIRMA GALVANİZ	AL5083	ALUMINUM 5083 ALÜMİNYUM 5083
STEG	STEEL S235JR ELECTRO GALVANISED ÇELİK S235JR ELEKTRO GALVANİZ	AL6082	ALUMINUM 6082 ALÜMİNYUM 6082

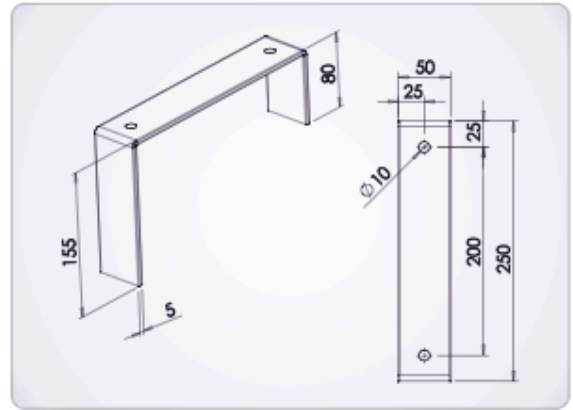
LIGHT SUPPORTS / LAMBA AYAKLARI

LIGHT SUPPORT / LAMBA AYAĞI



Art.No.	kg
CS1419	0,50

EXTERNAL LIGHT SUPPORT / HARİCİ LAMBA AYAĞI



Art.No.	kg
CS1420	0,95

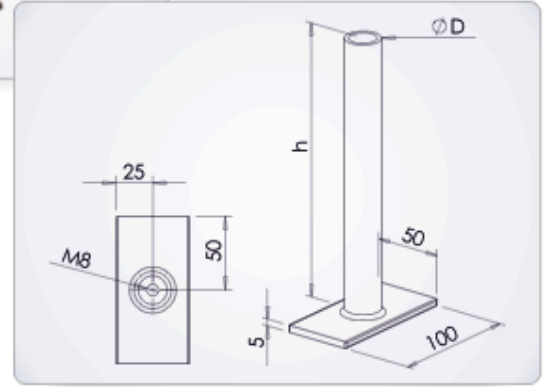
ART.NO. MATERIAL/SURFACE - MALZEME/YÜZEY

ST	STEEL S235JR NO COATING ÇELİK S235JR SİYAH	SS304	STAINLESS STEEL 304 PASLANMAZ ÇELİK 304
STP	STEEL S235JR PRIMER COATED ÇELİK S235JR ASTAR BOYALI	SS316	STAINLESS STEEL 316 PASLANMAZ ÇELİK 316
STHG	STEEL S235JR HOT DIP GALVANISED ÇELİK S235JR SICAK DALDIRMA GALVANİZ	AL5083	ALUMINUM 5083 ALÜMİNYUM 5083
STEG	STEEL S235JR ELECTRO GALVANISED ÇELİK S235JR ELEKTRO GALVANİZ	AL6082	ALUMINUM 6082 ALÜMİNYUM 6082

LIGHT SUPPORTS / LAMBA AYAKLARI

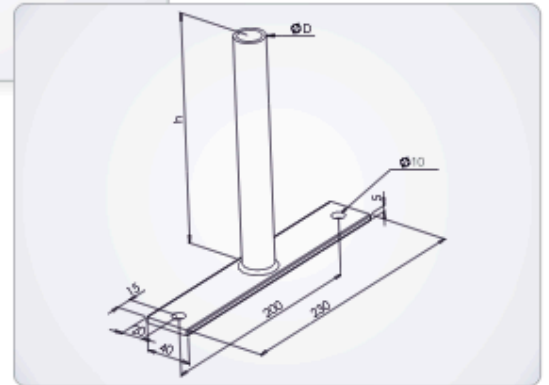
LIGHT PIPE SUPPORT / LAMBA DİREĞİ

Art.No.	h (mm)	D (inch)	kg
CS1421.10034	100	3/4	0,35
CS1421.20034	200	3/4	0,50
CS1421.30034	300	3/4	0,70
CS1421.40034	400	3/4	0,85
CS1421.50034	500	3/4	1,00
CS1421.60034	600	3/4	1,15
CS1421.1001	100	1	0,45
CS1421.2001	200	1	0,70
CS1421.3001	300	1	0,95
CS1421.4001	400	1	1,20
CS1421.5001	500	1	1,45
CS1421.6001	600	1	1,70



EXTERNAL LIGHT PIPE SUPPORT HARİCİ LAMBA DİREĞİ

Art.No.	h (mm)	D (inch)	kg
CS1422.10034	100	3/4	0,35
CS1422.20034	200	3/4	0,50
CS1422.30034	300	3/4	0,70
CS1422.40034	400	3/4	0,85
CS1422.50034	500	3/4	1,00
CS1422.60034	600	3/4	1,15
CS1422.1001	100	1	0,45
CS1422.2001	200	1	0,70
CS1422.3001	300	1	0,95
CS1422.4001	400	1	1,20
CS1422.5001	500	1	1,45
CS1422.6001	600	1	1,70

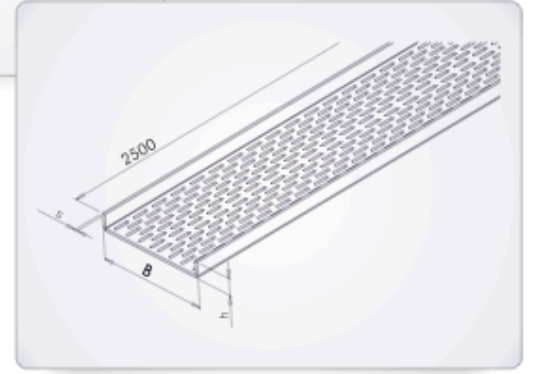
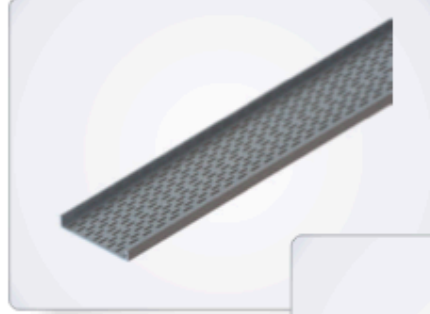


ART.NO. MATERIAL/SURFACE - MALZEME/YÜZEY

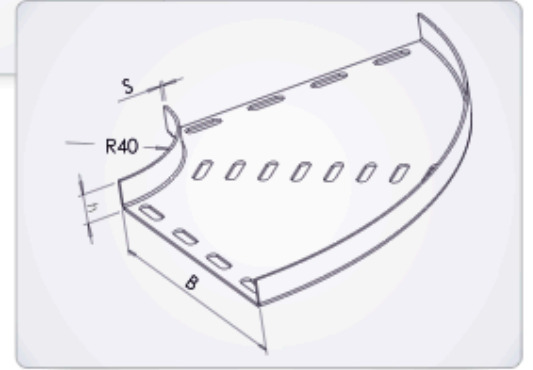
ST	STEEL S235JR NO COATING ÇELİK S235JR SİYAH	SS304	STAINLESS STEEL 304 PASLANMAZ ÇELİK 304
STP	STEEL S235JR PRIMER COATED ÇELİK S235JR ASTAR BOYALI	SS316	STAINLESS STEEL 316 PASLANMAZ ÇELİK 316
STHG	STEEL S235JR HOT DIP GALVANISED ÇELİK S235JR SICAK DALDIRMA GALVANİZ	AL5083	ALUMINUM 5083 ALÜMİNYUM 5083
STEG	STEEL S235JR ELECTRO GALVANISED ÇELİK S235JR ELEKTRO GALVANİZ	AL6082	ALUMINUM 6082 ALÜMİNYUM 6082

CABLE TRAYS / KABLO TAVALARI

Art.No.	h (mm)	B (mm)	s (mm)	kg/m
CS1301.1550	15	50	1,0	0,50
CS1301.1570	15	70	1,0	0,65
CS1301.15100	15	100	1,0	0,85
CS1301.15120	15	120	1,5	1,45
CS1301.15150	15	150	1,5	1,75
CS1301.15200	15	200	1,5	2,20
CS1301.15250	15	250	2,0	3,60
CS1301.15300	15	300	2,0	4,20
CS1301.3050	30	50	1,0	0,75
CS1301.3070	30	70	1,0	0,90
CS1301.30100	30	100	1,0	1,10
CS1301.30120	30	120	1,5	1,80
CS1301.30150	30	150	1,5	2,10
CS1301.30200	30	200	1,5	2,55
CS1301.30250	30	250	2,0	4,05
CS1301.30300	30	300	2,0	4,70



Art.No.	h (mm)	B (mm)	s (mm)	kg
CS1302.1550	15	50	1,5	0,15
CS1302.1570	15	70	1,5	0,20
CS1302.15100	15	100	1,5	0,30
CS1302.15120	15	120	1,5	0,40
CS1302.15150	15	150	2,0	0,75
CS1302.15200	15	200	2,0	1,15
CS1302.15250	15	250	2,0	1,65
CS1302.15300	15	300	2,0	2,30
CS1302.3050	30	50	1,5	0,15
CS1302.3070	30	70	1,5	0,20
CS1302.30100	30	100	1,5	0,35
CS1302.30120	30	120	1,5	0,45
CS1302.30150	30	150	2,0	0,85
CS1302.30200	30	200	2,0	1,35
CS1302.30250	30	250	2,0	1,95
CS1302.30300	30	300	2,0	2,65



ART.NO. MATERIAL/SURFACE - MALZEME/YÜZEY

ST	STEEL S235JR NO COATING ÇELİK S235JR SİYAH	SS304	STAINLESS STEEL 304 PASLANMAZ ÇELİK 304
STP	STEEL S235JR PRIMER COATED ÇELİK S235JR ASTAR BOYALI	SS316	STAINLESS STEEL 316 PASLANMAZ ÇELİK 316
STHG	STEEL S235JR HOT DIP GALVANISED ÇELİK S235JR SICAK DALDIRMA GALVANİZ	AL5083	ALUMINUM 5083 ALÜMİNYUM 5083
STEG	STEEL S235JR ELECTRO GALVANISED ÇELİK S235JR ELEKTRO GALVANİZ	AL6082	ALUMINUM 6082 ALÜMİNYUM 6082



Dec

The image features a stylized logo for 'Dec'. The word 'Dec' is written in a bold, italicized, serif font. To the right of the text is a circular graphic element composed of several overlapping, curved lines that create a sense of depth and movement, resembling a stylized 'D' or a globe. The entire logo is centered on a light gray background with a subtle, repeating pattern of the same logo.



Turgut Reis Sanayi Sitesi
A2 Blok No:2 Orhanlı, Tuzla
İstanbul / TURKEY
Tel : +90 216 591 0772
Fax : +90 216 591 0773
info@idectr.com

www.idectr.com

